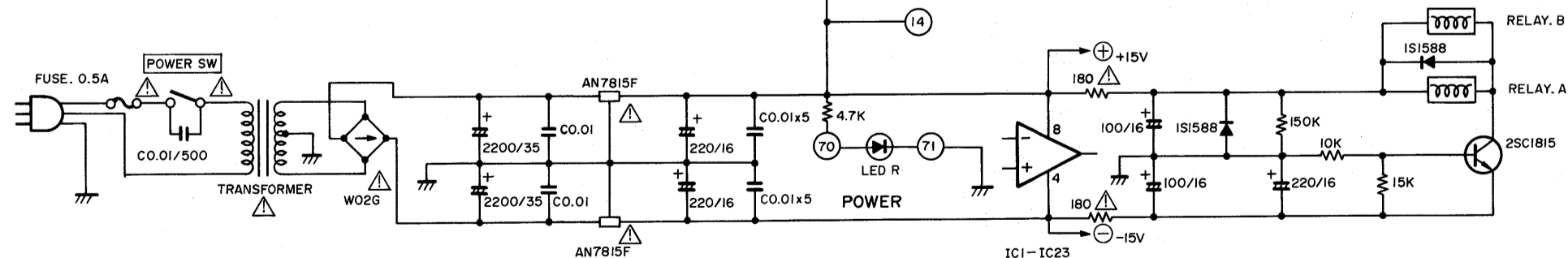
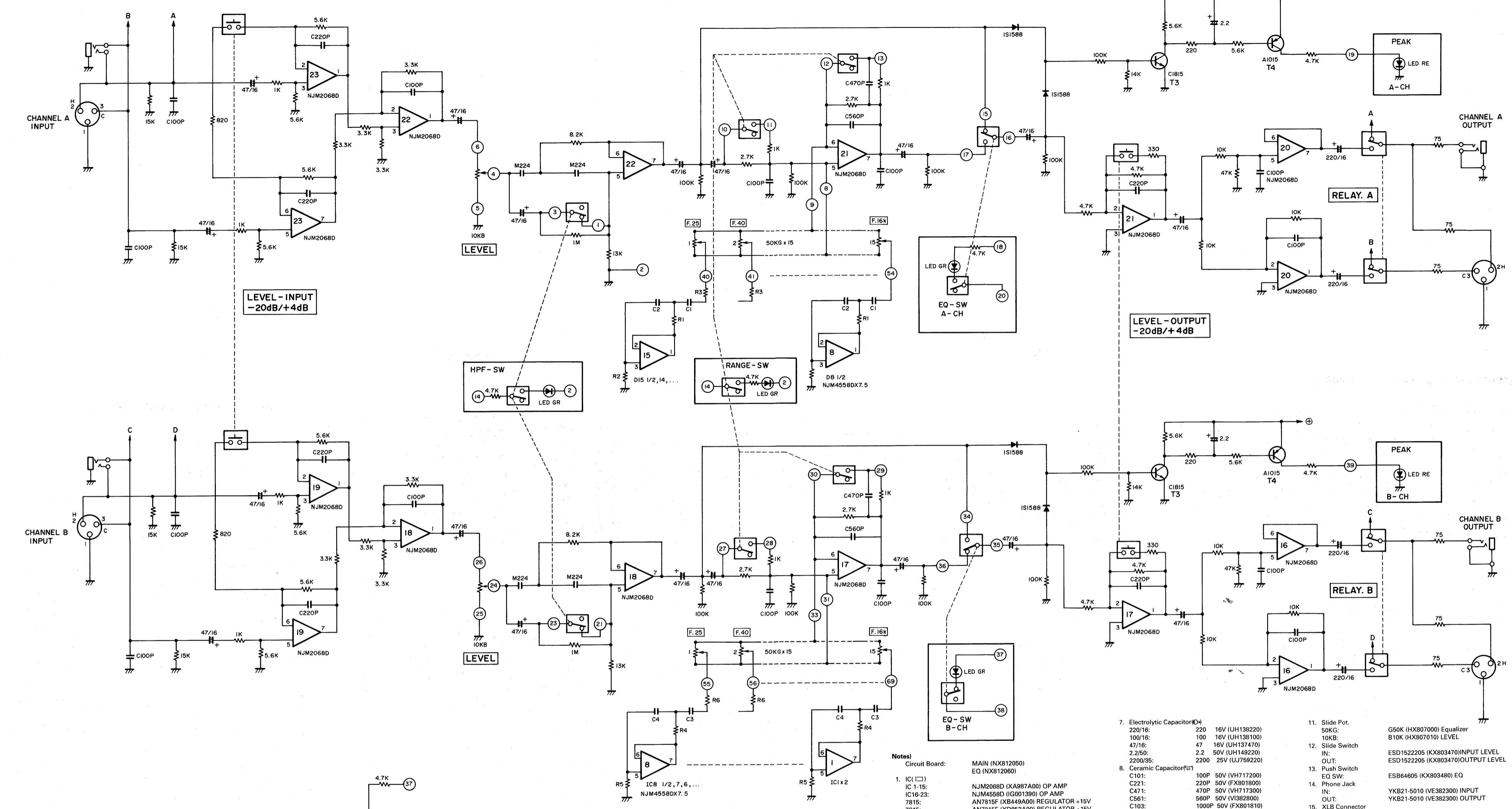


■GQ2105 OVERALL CIRCUIT DIAGRAM

GQ2015



- Notes**
- Circuit Board: MAIN (NX812050) EQ (NX812060)
- IC (□)
 - IC 1-15: NJM2068D (XA987A00) OP AMP
 - IC 16-23: NJM4558D (IG001390) OP AMP
 - 7815: AN7815F (XD854A00) REGULATOR +15V
 - 7815: AN7815F (XX305A00) REGULATOR -15V
 - 7915: AN7915F (XD854A00) REGULATOR +15V
 - 7915: AN7915F (XX305A00) REGULATOR -15V
 - Transistor
 - 2SA1015 GR (A101530)
 - 2SC1815 GR (IC181530)
 - Diode (⊕)
 - MA165 (VE029300)
 - Diode Stack (⊕)
 - W02G (IX806920)
 - LED (⊙)
 - TLR206 RE (IX806900)
 - TLR206 RE (IX806900)
 - TLG206 GR (IX806910)
 - Mylar Capacitor (⊕)
 - M102: 1000P 50V 5% (UA653100)
 - M152: 1500P 50V 5% (UA653150)
 - M222: 2200P 50V 5% (UA653220)
 - M332: 3300P 50V 5% (UA653330)
 - M562: 5600P 50V 5% (UA653560)
 - M822: 8200P 50V 5% (UA653820)
 - M153: 0.015 50V 5% (UA654150)
 - M223: 0.022 50V 5% (UA654220)
 - M333: 0.033 50V 5% (UA654330)
 - M563: 0.056 50V 5% (UA654560)
 - M823: 0.082 50V 5% (UA654820)
 - M154: 0.15 50V 5% (UA655150)
 - M224: 0.22 50V 5% (V1541600)
 - M334: 0.33 50V 5% (V1541800)
 - M564: 0.56 50V 5% (UA655560)
 - M824: 0.82 50V 5% (VK534700)
 - M155: 1.5 100V 5% (FX801830)
 - M225: 2.2 100V 5% (FX801840)
 - Electrolytic Capacitor (⊕)
 - 220/16: 220 16V (UH138220)
 - 100/16: 100 16V (UH138100)
 - 47/16: 47 16V (UH137470)
 - 2.2/50: 2.2 50V (UH149220)
 - 2200/35: 2200 35V (UJ759220)
 - Ceramic Capacitor (⊕)
 - C101: 100P 50V (VH171200)
 - C221: 220P 50V (FX801800)
 - C471: 470P 50V (VH171300)
 - C561: 560P 50V (VI382800)
 - C103: 1000P 50V (FX801810)
 - C103/500V: 1000P 400VAC (FX801820)
 - Metal Film Resistor (⊕)
 - F4700: 470 1/4 1% (VH004000)
 - F5100: 510 1/4 1% (VH004100)
 - C221: 220P 50V (FX801800)
 - F5902: 59K 1/4 1% (HX806970)
 - F6802: 68K 1/4 1% (VH005200)
 - F7502: 75K 1/4 1% (VH005300)
 - F3903: 390K 1/4 1% (VH011000)
 - F4023: 402K 1/4 1% (HX806980)
 - F4303: 430K 1/4 1% (VH011100)
 - F4703: 470K 1/4 1% (VH011200)
 - F5103: 510K 1/4 1% (VH011300)
 - Carbon Resistor (⊕)
 - 750: 75 1/4 5% (HF454750)
 - 101: 100 1/4 5% (HF455100)
 - 151: 150 1/4 5% (HF455150)
 - 181: 180 1/4 5% (HF455180)
 - 221: 220 1/4 5% (HF455220)
 - 821: 820 1/4 5% (HF455820)
 - 102: 1K 1/4 5% (HF456100)
 - 272: 2.7K 1/4 5% (HF456270)
 - 332: 3.3K 1/4 5% (HF456330)
 - 472: 4.7K 1/4 5% (HF456470)
 - 562: 5.6K 1/4 5% (HF456560)
 - 822: 8.2K 1/4 5% (HF456820)
 - 103: 10K 1/4 5% (HF457100)
 - 133: 13K 1/4 5% (HF457130)
 - 153: 15K 1/4 5% (HF457150)
 - 473: 47K 1/4 5% (HF457470)
 - 104: 100K 1/4 5% (HF458100)
 - 154: 150K 1/4 5% (HF458150)
 - 224: 220K 1/4 5% (HF458220)
 - Slide Pot.
 - 50K: G50K (HX807000) Equalizer
 - 10K: B10K (HX807010) LEVEL
 - Slide Switch
 - IN: ESD1522205 (KX803470) INPUT LEVEL
 - OUT: ESD1522205 (KX803470) OUTPUT LEVEL
 - Push Switch
 - EQ SW: ESB64605 (KX803480) EQ
 - Phone Jack
 - IN: YKB21-5010 (VE382300) INPUT
 - OUT: YKB21-5010 (VE382300) OUTPUT
 - XLB Connector
 - IN: XLB3-31PCV-M01 (V1443700) INPUT
 - OUT: XLB3-32PCV-M01 (V1579600) OUTPUT
 - Relay
 - RELAY A: DF2-DC24V (VP804400)
- Notes**
- Circuit Board: SW (NX812070)
- Push Switch
 - SPEC21 (KX803490) HPF,RANGE
 - LED
 - TLG206 GR (IX806910) HPF,RANGE
- Notes**
- Fuse
 - 0.5A (KX803440) J
 - 0.5A (KX803450) U,C
 - 0.5A (KX803460) H,B,W
 - Power Switch Assembly
 - (NX812030)
 - Power Transformer
 - H4120-36J (GX803610) J
 - 12A (KX803620) U,C,V
 - H4120-36H (GX803630) H,W,B
 - AC Cord
 - DP-398-J02 (MX801380) J
 - JP-365-J11 (MX801390) U
 - EP-495-E14 (MX801400) H
 - 13A-BHE-NM (MX801410) B

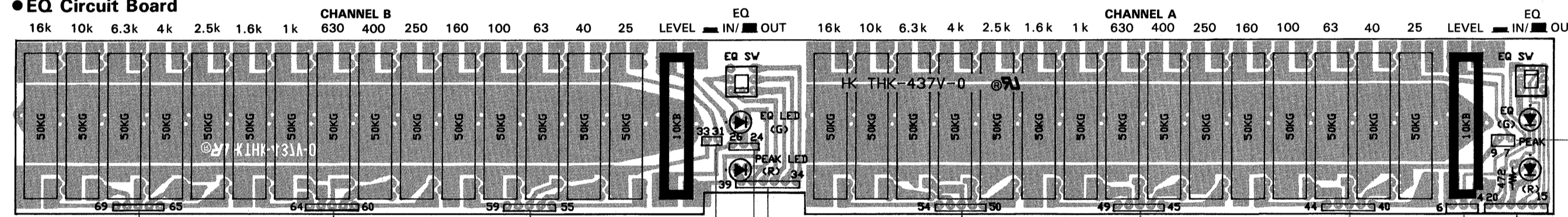
F.	25	40	63	100	160	250	400	630	1k	1.6k	2.5k	4k	6.3k	10k	16k
C1,C3	2.2	1.5	0.82	0.56	0.33	0.22	0.15	0.082	0.056	0.033	0.022	0.015	8200P	5600P	3300P
R1,R4	470K	402K	510K	430K	470K	402K	510K	430K	430K	390K	68K	75K	59K	59K	
R2,R5	470	470	470	470	470	470	470	470	470	470	470	470	510	510	
R3,R6	150	150	100	100	X	X	X	X	X	X	X	X	X	X	X

△印の部品は、安全を維持するために重要な部品です。交換する場合は、安全のため必ず指定の部品をご使用下さい。

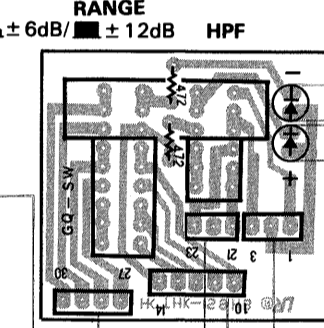
*C1,C2,C3,C4: Mylar capacitor
*R1,R2,R3,R4,R5,R6: Carbon film resistor
*marked X: not installed

■CIRCUIT BOARDS (シート基板図)

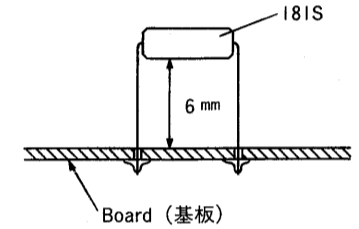
●EQ Circuit Board



●SW Circuit Board



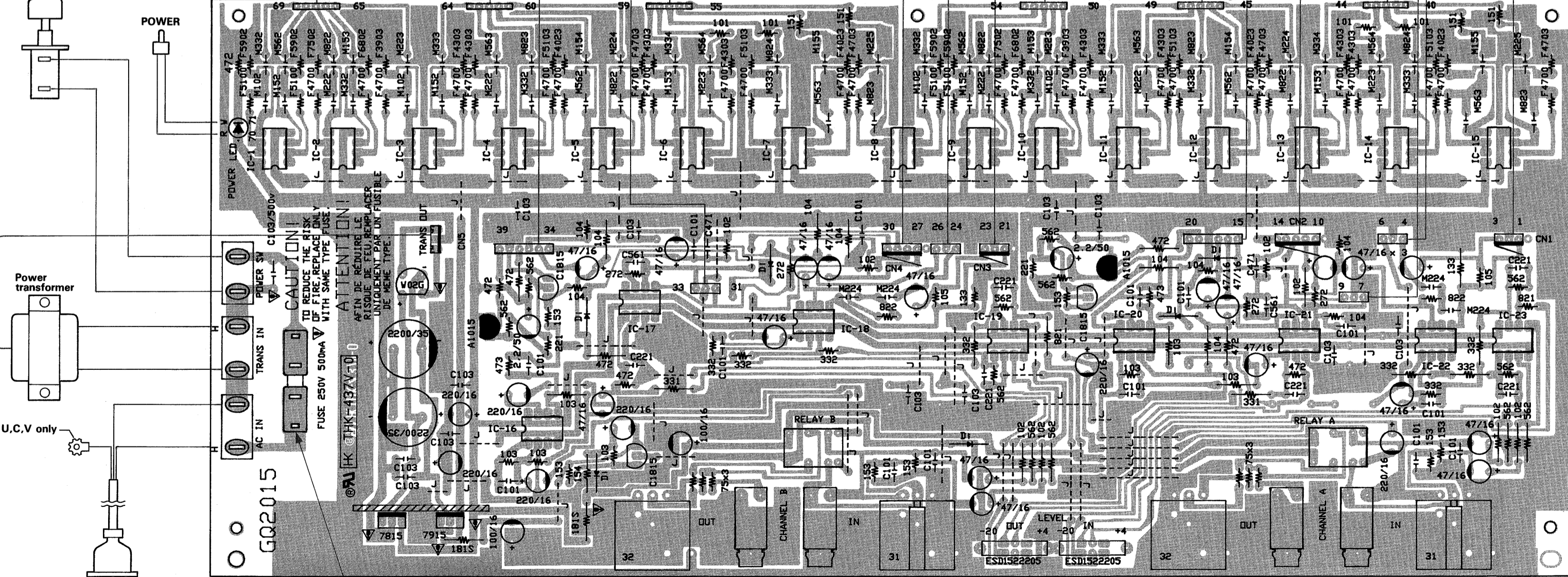
●Carbon resistor 181S (カーボン抵抗)



Notes

- Circuit Board: MAIN (NX812050)
EQ (NX812060)
- IC (□)
 - IC1-15: NJM2068D (XA987A00) OP AMP
 - IC16-23: NJM4558D (IG001390) OP AMP
 - 7815: AN7815F (XB449A00) REGULATOR +15V
 - 7815: AN7815F (XD853A00) REGULATOR +15V
 - 7915: AN7915F (XK305A00) REGULATOR -15V
 - 7915: AN7915F (XD854A00) REGULATOR -15V
 - Transistor
 - ▲A1015: 2SA1015 GR (IA101530)
 - C1815: 2SC1815 GR (IC181530)
 - Diode(+)
 - D1: MA165 (VE029300)
 - Diode Stack(○)
 - W02G: W02G (IX806920)
 - LED(○)
 - PEAK: TLR206 RE (IX806900)
 - POWER: TLR206 RE (IX806900)
 - EQ: TLR206 GR (IX806910)
 - Mylar Capacitor(≡)
 - M102: 1000P 50V 5% (UA653100)
 - M102: 1500P 50V 5% (UA653150)
 - M222: 2200P 50V 5% (UA653220)
 - M332: 3300P 50V 5% (UA653330)
 - M562: 5600P 50V 5% (UA653560)
 - M822: 8200P 50V 5% (UA653820)
 - M153: 0.015 50V 5% (UA654150)
 - M223: 0.022 50V 5% (UA654220)
 - M333: 0.033 50V 5% (UA654330)
 - M563: 0.056 50V 5% (UA654560)
 - M823: 0.082 50V 5% (UA654820)
 - M154: 0.15 50V 5% (UA655150)
 - M224: 0.22 50V 5% (V541600)
 - M334: 0.33 50V 5% (V541800)
 - M564: 0.56 50V 5% (UA655560)
 - M824: 0.82 50V 5% (VK534700)
 - M155: 1.5 100V 5% (FX801830)
 - M225: 2.2 100V 5% (FX801840)
 - Electrolytic Capacitor(⊃)
 - 220/16: 220 16V (UH138220)
 - 100/16: 100 16V (UH138100)
 - 47/16: 47 16V (UH137470)
 - 2.2/50: 2.2 50V (UH149220)
 - 2200/35: 2200 25V (UJ759220)
 - Ceramic Capacitor(⊃)
 - C101: 100P 50V (VH717200)
 - C221: 220P 50V (FX801800)
 - C471: 470P 50V (VH717300)
 - C561: 560P 50V (VJ382800)
 - C103: 1000P 50V (FX801810)
 - C103/500V: 1000P 400VAC (FX801820)
 - Metal Film Resistor(≡)
 - F4700: 470 1/4 1% (VH004000)
 - F5100: 510 1/4 1% (VH004100)
 - F5902: 59K 1/4 1% (HX806970)
 - F8902: 68K 1/4 1% (VH009200)
 - F7502: 75K 1/4 1% (VH009300)
 - F3903: 390K 1/4 1% (VH011000)
 - F4023: 402K 1/4 1% (HX806980)
 - F4303: 430K 1/4 1% (VH011100)
 - F4703: 470K 1/4 1% (VH011200)
 - F5103: 510K 1/4 1% (VH011300)
 - Carbon Resistor(≡)
 - 750: 75 1/4 5% (HF454750)
 - 101: 100 1/4 5% (HF455100)
 - 151: 150 1/4 5% (HF455150)
 - 181S: 180 1/4 5% (HF455180)
 - 221: 220 1/4 5% (HF455220)
 - 821: 820 1/4 5% (HF455820)
 - 102: 1K 1/4 5% (HF456100)
 - 272: 2.7K 1/4 5% (HF456270)
 - 332: 3.3K 1/4 5% (HF456330)
 - 472: 4.7K 1/4 5% (HF456470)
 - 562: 5.6K 1/4 5% (HF456560)
 - 822: 8.2K 1/4 5% (HF456820)
 - 103: 10K 1/4 5% (HF457100)
 - 133: 13K 1/4 5% (HF457130)
 - 153: 15K 1/4 5% (HF457150)
 - 473: 47K 1/4 5% (HF457470)
 - 104: 100K 1/4 5% (HF458100)
 - 154: 150K 1/4 5% (HF458150)
 - 224: 220K 1/4 5% (HF458220)
 - Slide Pot.
 - 50KG: G50K (HX807000) Equalizer
 - 10K3: B10K (HX807010) LEVEL
 - Slide Switch
 - IN: ESD1522205 (KX803470) INPUT LEVEL
 - OUT: ESD1522205 (KX803470) OUTPUT LEVEL
 - Push Switch
 - EQ SW: ESB64605 (KX803480) EQ
 - Phone Jack
 - IN: YKB21-5010 (VE382300) INPUT
 - OUT: YKB21-5010 (VE382300) OUTPUT
 - XLB Connector
 - IN: XLB3-31PCV-M01 (V1443700) INPUT
 - OUT: XLB3-32PCV-M01 (V1579600) OUTPUT
 - Relay
 - RELAY A: DF2-DC24V (VP804400)
- Notes
- Circuit Board: SW (NX812070)
- Push Switch
 - GO SW: SPEC21 (KX803490) HPF,RANGE
 - LED
 - TLG206 GR (IX806910) HPF,RANGE
- Notes
- Fuse
 - 0.5A (KX803440) J
 - 0.5A (KX803450) U.C
 - 0.5A (KX803460) H,B,W
 - Power Switch Assembly
 - (NX812030)
 - Power Transformer
 - H4120-36J (GX803610) J
 - 12A (GX803620) U.C,V
 - H4120-36H (GX803630) H,W,B
 - AC Cord
 - DP-398-J02 (MX801380) J
 - JP-365-J11 (MX801390) U
 - EP-495-E14 (MX801400) H
 - 13A-BHE8-NM(MX801410) B

●MAIN Circuit Board



*NOTE: The fuse is not a part of the MAIN circuit board.
When you replace the MAIN circuit board, you should
insert a fuse into the fuse holder.

(注) ヒューズはMAINシートの構成部品ではありません。シート交換
をする際は、必ずヒューズを取り付けて下さい。

